



Synergy Triple Panel Mount - SL/PM

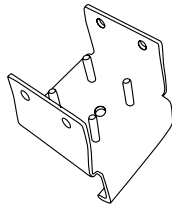
BEFORE YOU BEGIN

- Carefully inspect the mount for shipping damage or missing parts. If any damage is apparent or you are missing parts contact Salamander Designs at 800-535-5659.
- Read ALL assembly instructions before assembly. If you have any questions, please contact your installation contractor or Salamander Designs.
- This TV mount is intended for use with Flat-Panel TV 63" or smaller.
- Total weight capacity of TV WITH optional speaker mount kits: Synergy Triple Cabinet Mounts (SL/PM): 180 lbs.
- Use with products heavier than the maximum weight or larger than the size indicated may result in instability causing possible injury.
- Mounts must be attached as specified in assembly instructions. Improper installation can result in serious personal injury.

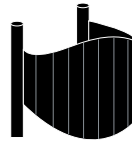
LIMITED WARRANTY- For five full years Salamander Designs Ltd. will repair or replace, at our option, any product defective in materials or craftsmanship. Salamander Designs Ltd. will not be responsible for any damage to or destruction of other equipment consequential to our equipment failure. Defective product must be given Return Authorization and is to be returned to the factory prepaid, in the original carton and packing material. Any damage incurred in a shipment not in original packaging shall be the responsibility of the owner. Warranty repairs will be returned prepaid, via UPS within the continental U.S.A. only.

Parts

- 2 Extruded Posts
- PM300 Mount Kit

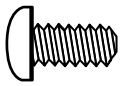


R (2x) 301-422 Base Plate

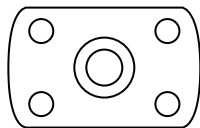


S (5x) 301-600 Wire Manager

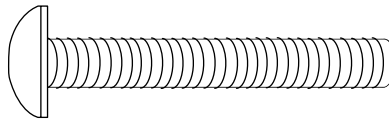
Synergy Triple Mount Hardware Bag - PHK-515



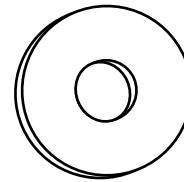
F (14x) 300-485
Button Head Screw



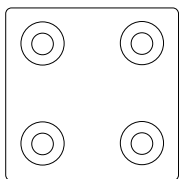
G (12x) 300-560
Flat Nut



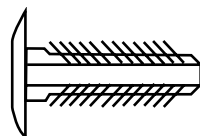
K (2x) 300-555
2" Button Head



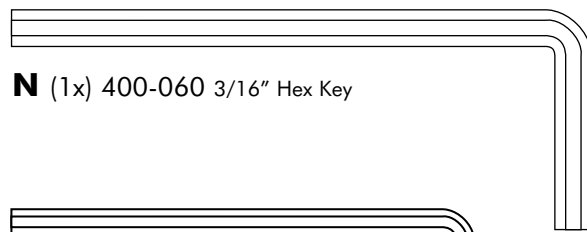
L (2x) 300-470
Metal Washer



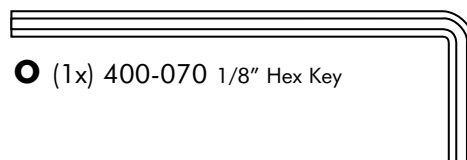
P (2x) 301-425
Post Cover



Q (8x) 301-575
Plastic Fasteners



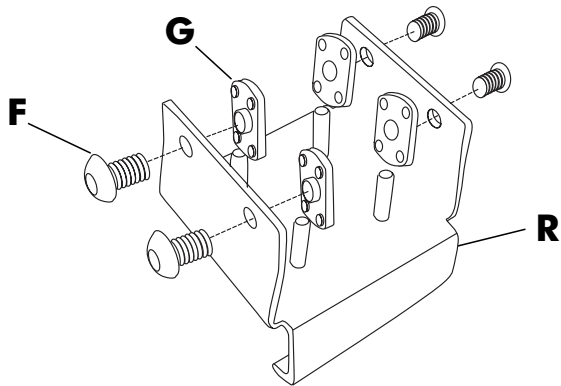
N (1x) 400-060 3/16" Hex Key



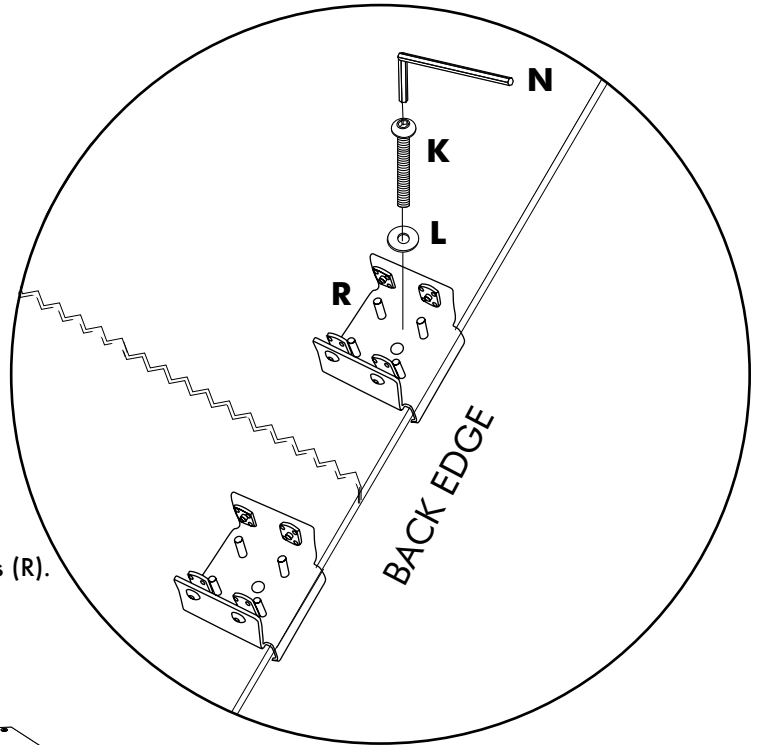
O (1x) 400-070 1/8" Hex Key

1. Install Base Plates

A. Loosely assemble 2 flat nuts (G) with 2 button head screws (F) through each base plate (R).

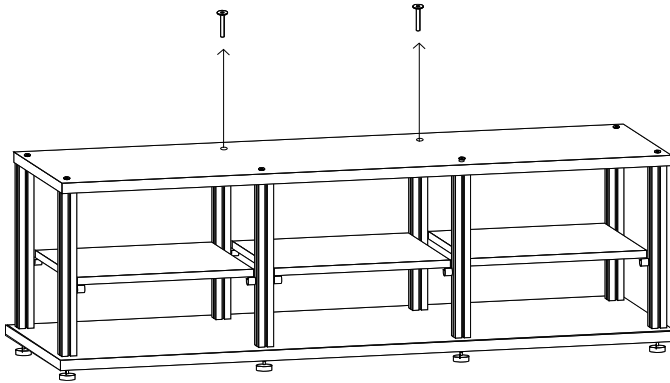


B. Secure the base plates (R) to the two rear center posts with the 2" button head screws (K) and washers (L).
Tighten firmly with hex key (J).



NOTE:

If installing mount to an assembled triple unit, remove the two rear center connector bolts. Replace with base plates (R).



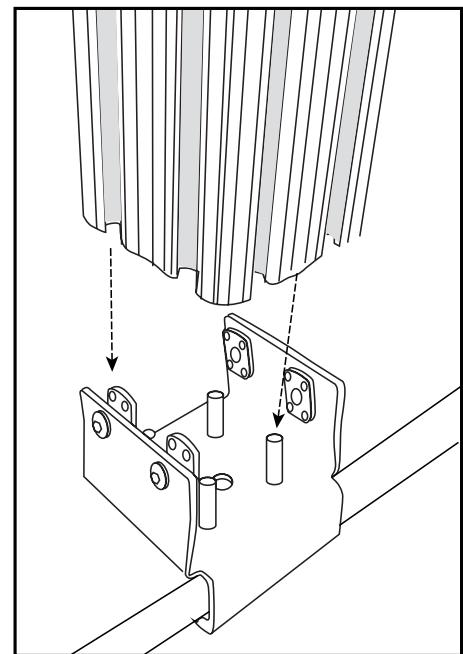
2. Install Posts

A. Align thru holes in posts over the pins in the base plates.

Guide the flat nuts (G) through the front of the posts.

If necessary, use rubber mallet or other device to ensure the posts fits snugly against the top surface.

Tighten the screws (F) with hex key (H).



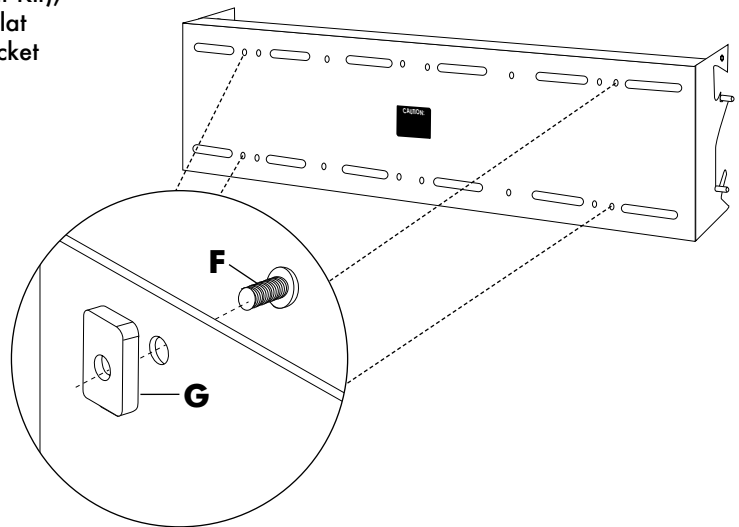
3. Assemble TV Brackets

Refer to Steps 1 and 2 of the PM300 Panel Mount assembly instructions before proceeding onto the next step.

4. Assemble Post Bracket

- A. Take the post bracket (supplied in the PM300 Mount Kit), and assemble 2 button head screws (F) with the 2 flat nuts (G) through a set of holes on each side of bracket as shown.

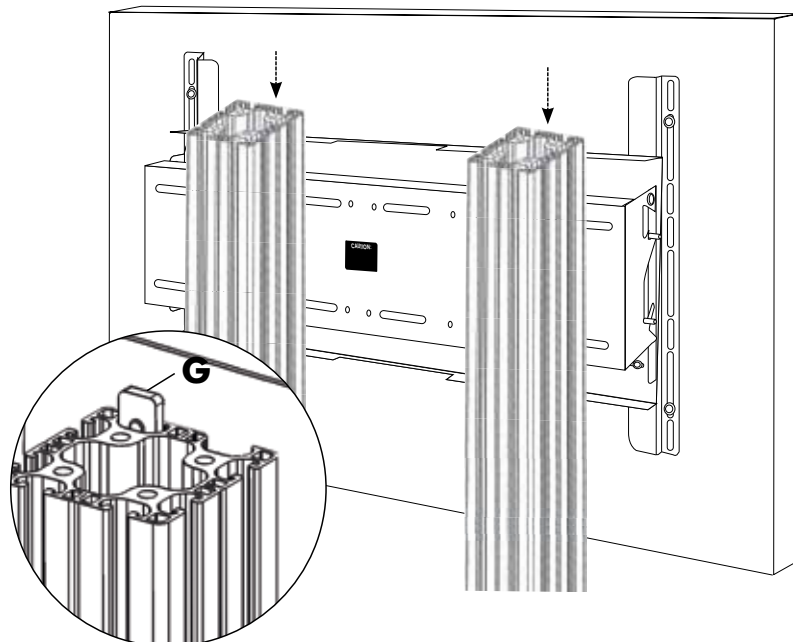
Thread the screws to the nuts enough to ensure the nut does not fall off.



- B. Slide the post bracket into the posts as shown below, guiding the flat nuts (G) to ensure all parts slide freely.

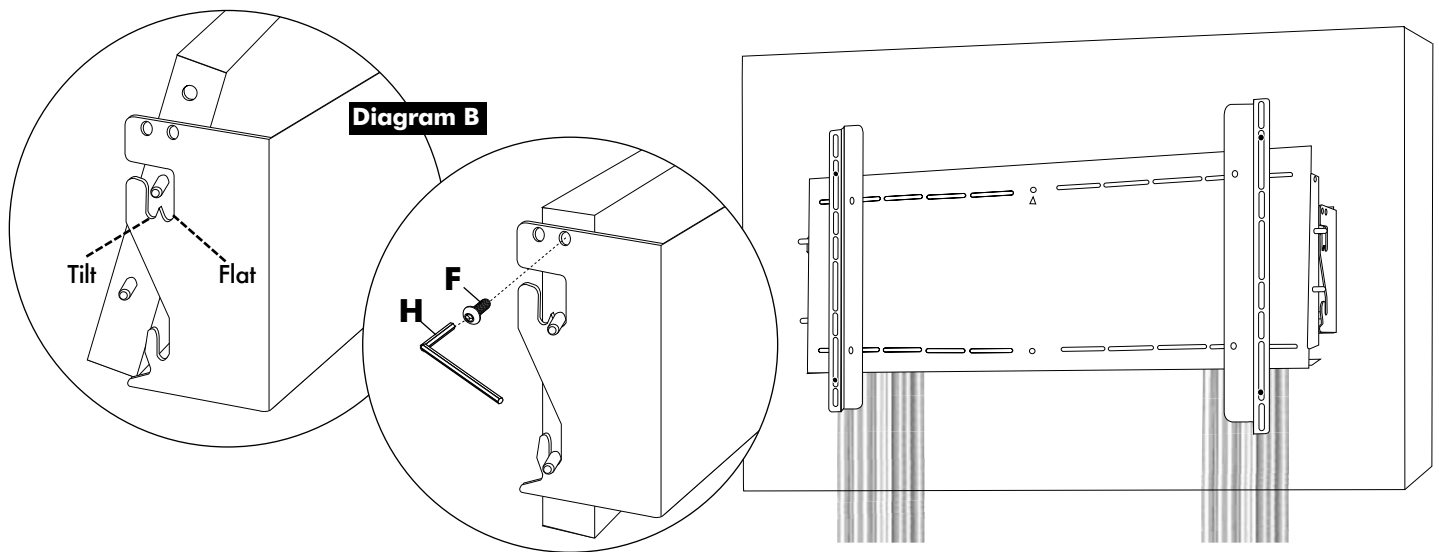
Position the post bracket vertically along the posts where you wish the center of the television to rest.

Tighten button head screws (F) with hex key (H) to firmly set the bracket onto the posts.



5. Place TV onto Post Bracket **NOTE: Two people needed for this step.**

Pick-up the TV and guide the pins from the interface bracket onto the post bracket receptacles as shown in Diagram B (TV may be positioned flat or tilted approximately 7 degrees). Secure the TV in place using the two button head screws (supplied in PM300 Mount Kit) with the hex key (H) at both ends of the post bracket.



6. Post Caps & Wire Managers

A. Using the 8 plastic fasteners (Q) attach the 2 post caps (P).

B. Attach the wire managers (S) by snapping them into the backside of the post(s).

